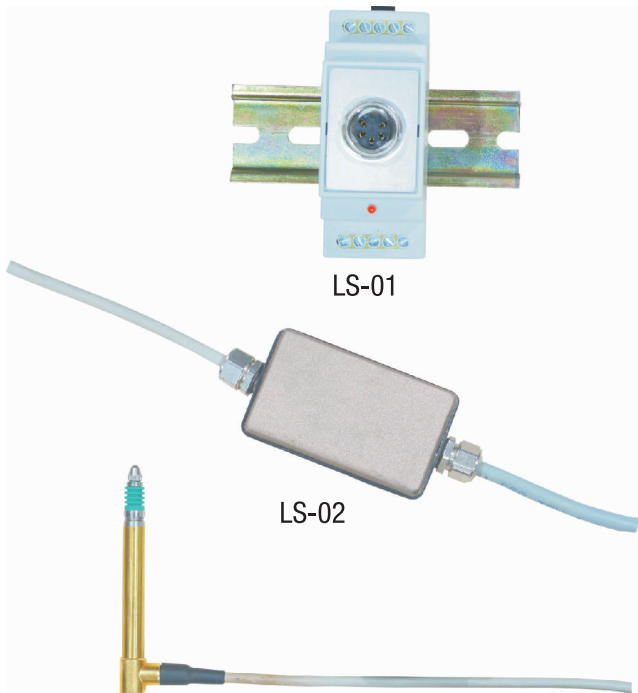


# Interfaces and Convertors



LS-01

LS-02

### LS-01 convertor for half bridge LVDT probe to analog output

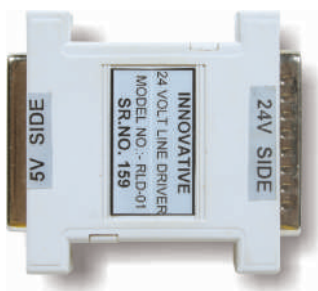
- ◆ Din rail mounted
- ◆ 24V external power supply required
- ◆ Gives +/- 10V output for half bridge LVDT probes

### LS-02 convertor for half bridge LVDT probe to analog output

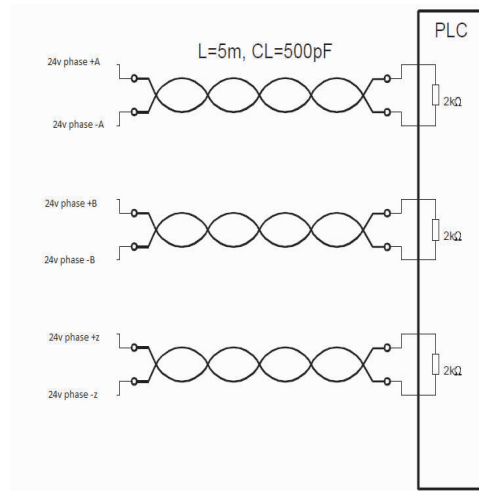
- ◆ In-cable convertor which gives +/- 10V output for half bridge LVDT probes
- ◆ 24V external power supply required

### Line driver IAP24LD

- ◆ Converts 5V RS422 signals to 24V with complementary outputs
- ◆ 24V external power supply required



### IAP24LD line driver technical specifications



### Single axis sine wave Interpolation Unit IAP11



### Features :

- ◆ Selectable interpolation factor 1, 2, 5, 10
- ◆ Accepts 11µa or 1VPP signals
- ◆ Maximum input frequency 250Khz
- ◆ Maximum output frequency 10Mhz
- ◆ Extremely small form factor
- ◆ Rs422 line driver output
- ◆ Fully synchronous operation
- ◆ +5V Operation

The single axis sine-wave interpolator can accept 11µa or 1Vpp differential sine / cosine signals and produce RS422 differential square wave quadrature signals. The interpolation factor may be set to 1, 2, 5 or 10 times e.g. provides 0.5µm resolution from a 20µm pitch scale. The maximum input rate is 250Khz. the maximum output count rate is 10Mhz. The device operates from +5V which may be supplied either from the input connector.

Note : Due to continues R&D activities at our end, Specifications are subject to change without prior notice.